

HLX-S17

Temp. & Humidity Transmitter (Digital / Analog)



| Features |

- Real-Time data of temperature & humidity
- PC fire-proof class plastic and SUS304 metal housing
- Economic price, high accuracy, nicer long-term stability
- MEMS semiconductor sensor
- Anti-condensation protection
- Digital : MODBUS RS-485 ; Analog : 4 ... 20 mA or 0 ... 10 V
- Compact size and elegant outlook and easy to install

| Applications |

Monitoring for HVAC process / Air conditioning / Environmental ventilation control / Building / Factory / Clean room / Laboratory / Storeroom / Crisper / Agriculture / Food industry / Machinery / Equipment

| Specification |

Input

Temperature	MEMS
Humidity	MEMS

Measuring range

Temperature	0°C ... +50°C
Humidity	0 ... +100%RH (Non-condensing)

*The measurement range is defined at the standard condition(1013 mbar, 25°C).

Output

Output	4 ... 20 mA ; 0 ... 10 V ; RS-48 MODBUS
Signal connection	2-wire ; 3-wire
Warm-up time	< 2 min. stable time 20 mins.
Response time	t63 (15 ... 45°C/33 ... 75%RH) ≤ 10 sec
Sampling time	About 3 sec

Accuracy (at +25°C)

Temperature	±0.5°C (Suggest range : 10°C ... 50°C)
Humidity (30 ... 80%RH)	Current output : ±3.0%RH Voltage output : ±2.0%RH Digital output : ±2.0%RH
Hysteresis error	±1.0%RH
Temp. influence	±0.15%RH/°C

Electrical

Power supply	DC 10 ... 28 V (2-wire) / DC 19 ... 28 V (3-wire)
Current consumption	Max. 45 mA (2-wire) / DC : Max. 6 mA (3-wire)
Electrical connection	PVC cable 0.32 mm ² x 4C

Environmental

Medium	Air
Operating Temp.	+0°C ... +50°C
Operating Humid.	0 ... 100%RH (Non-condensing)
Storage temperature	-20°C ... +60°C

Installation

Installation	Flange (PVC / Metal)
--------------	------------------------

Protection

IP rating	IP24 (Sensor) ; IP 65 (Body)
Electrical protection	■ Polarity protection ■ Over-voltage ■ Short-circuit

Certification

Certification	CE
---------------	----

Material

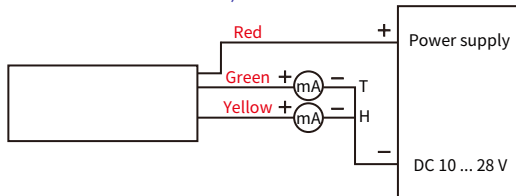
Housing	PC fire-proof (UL94V-2) (Plastic) SUS304 (Metal)
Cable	PVC
Optional accessory	Movable thread / Metal flange

Weight

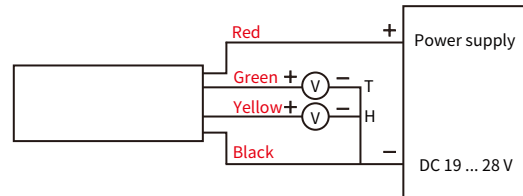
Plastic (with cable)	105 g
Metal (with cable)	146 g

| Diagram |

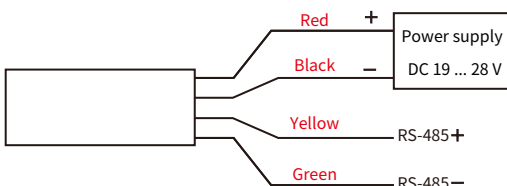
■ Plastic probe (2-wire)



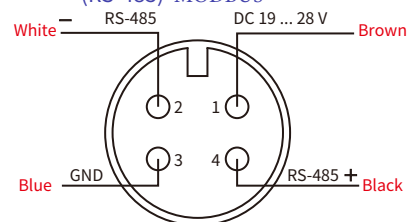
■ Plastic probe (3-wire)



■ Plastic probe (RS-485) MODBUS



■ Metal probe (RS-485) MODBUS

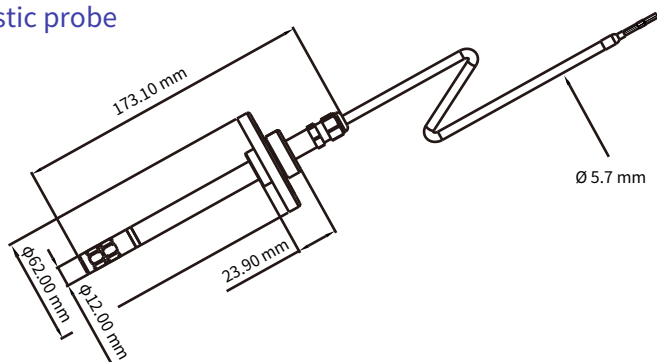


M12, 4P

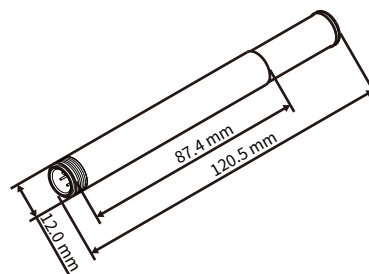
*Please make sure the product and the device which connect with RS-485 are on common ground, avoid damaged product.

| Dimension |

■ Plastic probe



■ Metal probe



| Ordering Guide |

NO.	Product ordering number	Specification
1	S17-AP11-3000-2	4 ... 20 mA / DC 10 ... 28 DC (2-wire) / 0 ... +50°C / 0 ... 100%RH / Plastic probe / 2m cable
2	S17-AP62-3000-2	0 ... 10 V / DC 19 ... 28 V (3-wire) / 0 ... 50°C / 0 ... 100%RH / Plastic probe / 2m cable
3	S17-APX2-XXXX-2	RS-485 / DC 19 ... 28 V (3-wire) / 0 ... 50°C / 0 ... 100%RH / Plastic probe / 2m cable
4	S17-AMX2-XXXX-2	RS-485 / DC 19 ... 28 V (3-wire) / 0 ... 50°C / 0 ... 100%RH / Metal probe / 2m cable

| Additional Option Test Report | For more detailed information please contact us.

■ ILAC / TAF

Calibration Laboratory - (ILAC / TAF) Test report.

(TAF accreditation : 3032, complying with ISO / IEC 17025) TAF has mutual recognition arrangement with ILAC MRA

Project	Measurand level or range
Resistance thermometer	-40°C ... +300°C
Thermocouple thermometer	-20°C ... +300°C

Project	Measurand level or range
Hygrometer	Temperature : 0°C ... 69.5°C
	Humidity : 10% ... 95%

■ ISO 9001

Project	Measurand level or range
RTD / Thermocouple	Resistance thermometer : -40°C ... +300°C
	Thermocouple thermometer : -20°C ... +300°C

Project	Measurand level or range
Temperature and Humidity	Temperature : 0°C ... 200°C
	Humidity : 0.1% ... 99.8%