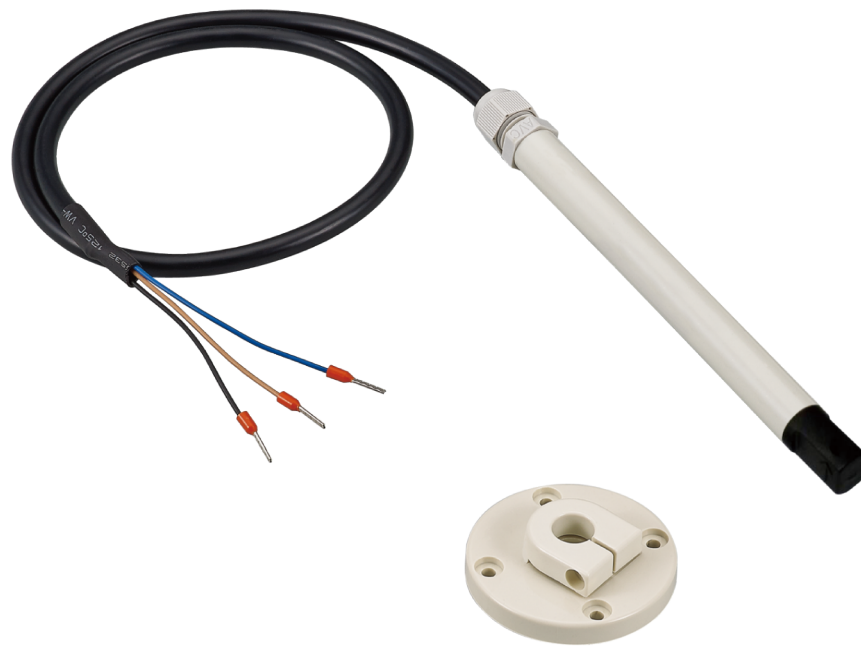


HLX FT07

Hot Wire Air Velocity Transmitter for Probe Type



| Features |

- Measuring range : 10 m/s , 20 m/s
- Highly stability and repeatability
- Smaller tolerance in setting angle
- An economical choice, high C/P ratio

| Applications |

Monitoring for HVAC process / Environmental control and clean room / Laminar flow control

| Specification |

Input

Measuring range	10 m/s ; 20 m/s
Min. measuring range	0.2 m/s

Output

Output signal	DC 0 ... 10 V
Signal connection	3-Wire
Load resistance(voltage output)	>10KΩ
Response time	t90 ≤ 1 sec
Angular dependence	<3% measuring range (install degree < 10°)

Accuracy(+25°C)

Accuracy	±5% F.S.
----------	----------

Environment

Measuring medium	Air
Operating Temp.	15 ... 35°C
Environment humidity	10 ... 90 %RH (Non-condensing)
Storage Temp.	-10 ... +60°C

Electrical

Power supply	DC 24 V ±20%
Current consumption	<70 mA
Oversvoltage protection	DC <35 V
Electrical connection	PVC cable 0.32 mm ² x 3C

Installation

Fixed seat	Flange installation
Installation	Probe type

Protection

IP rating	IP 20
Electrical protection	■ Polarity protection ■ Over-voltage

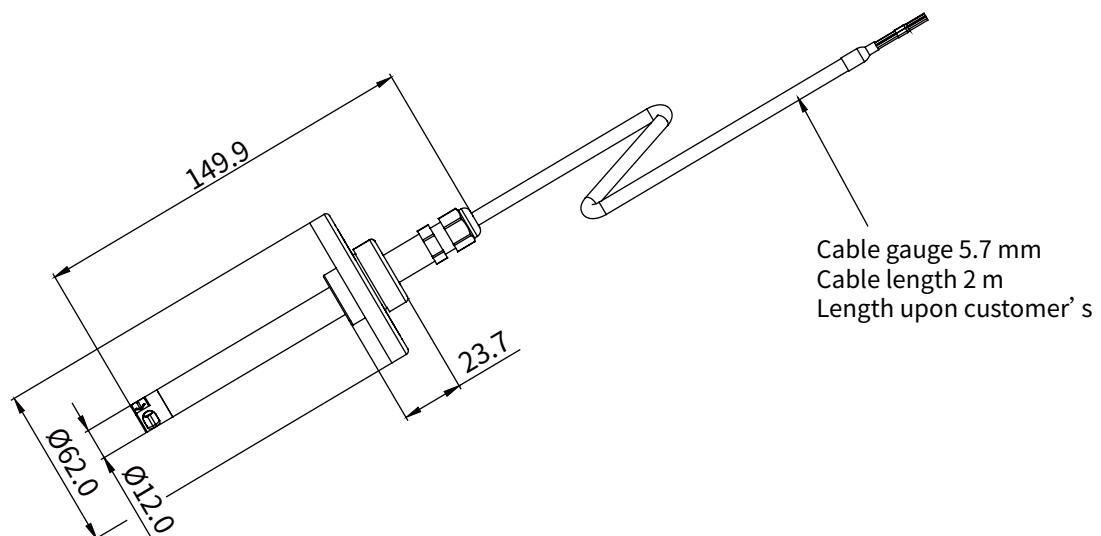
Certification

Certification	CE
---------------	----

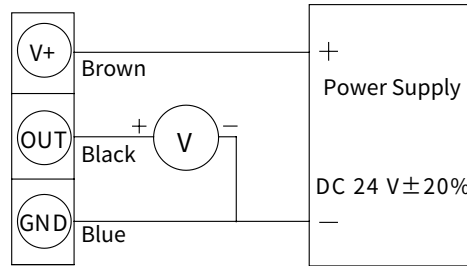
Material

Housing	PC fire-proof(UL94V-2)
Filter	PC with glass fiber
Cable	PVC
Weight	25 g(Without cable)

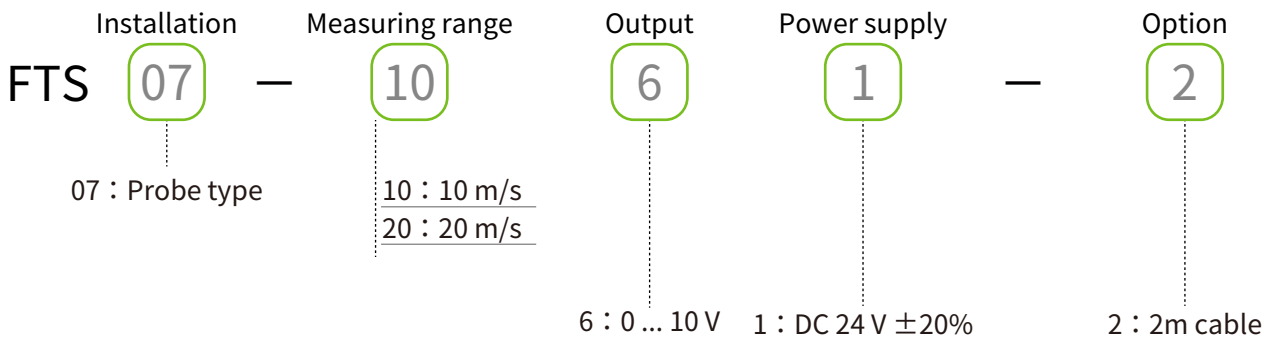
| Dimension | Unit : mm



| Diagram |



| Ordering Guide |



| Additional Option Test Report | For more detailed information please contact us.

■ ILAC / TAF

Calibration Laboratory - (ILAC / TAF) Test report.
 (TAF accreditation : 3032, complying with ISO / IEC 17025) TAF has mutual recognition arrangement with ILAC MRA

Project	Measurand level or range
Air velocity transmitter	0.2 m/s ... 60 m/s

■ ISO 9001

Project	Measurand level or range
Air velocity / Air volume	Air velocity : ≤ 120 m/s
	Air volume : 0.5 m ³ /h ... 1000 m ³ /h