



USER MANUAL

Air pressure sensor in housing

8128

Air Pressure Sensor



Warranty

Please note the loss of warranty and non-liability by unauthorized manipulation of the system. You need a written permission of the LAMBRECHT meteo GmbH for changes of system components. These activities must be operated by a qualified technician.

The warranty does not cover:

1. Mechanical damages caused by external impacts (e.g. icefall, rockfall, vandalism).
2. Impacts or damages caused by over-voltages or electromagnetic fields which are beyond the standards and specifications in the technical data.
3. Damages caused by improper handling, e.g. by wrong tools, incorrect installation, incorrect electrical installation (e.g. false polarity) etc.
4. Damages which are caused by using the device beyond the specified operation conditions.

Features

- Measuring ranges: 600...1100 hPa or 800...1100 hPa
- Accuracy according to international standards (NIST):
± 0.5 hPa (600...1100 hPa)
± 0.3 hPa (800...1100 hPa)
- Pressure connection via 1/8" connection
- Power supply range: 9.5...28 VDC
- Current consumption: 3 mA

General

The analogue pressure sensor 8128 is a very accurate and versatile instrument, it suits ideally for applications in non air-conditioned measuring stations or data loggers. The sensor has a very low current consumption and is suitable for pressure measurements in clean and dry air or other non-condensing gases.

The used thermally stable, capacitive ceramic sensor is encapsulated in glass and connected to a high-quality electronic measuring device which allows for an exact signal processing in consideration of environmental influences. The sensor has an excellent coefficient of thermal expansion and a very low mechanical hysteresis; therefore a high temperature- and long term stability is achieved.

Applications

- In a protective housing for outdoor installation to connect to an automatic weather station
- As a barometric pressure sensor on the SYNMET plug-in card to expand the SYNMET automatic weather station



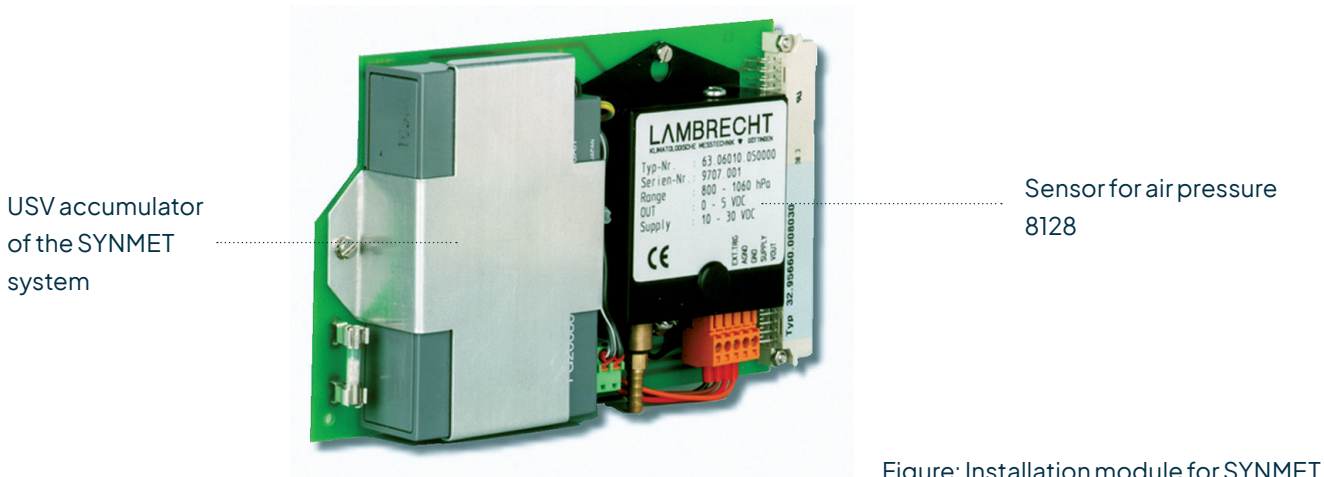
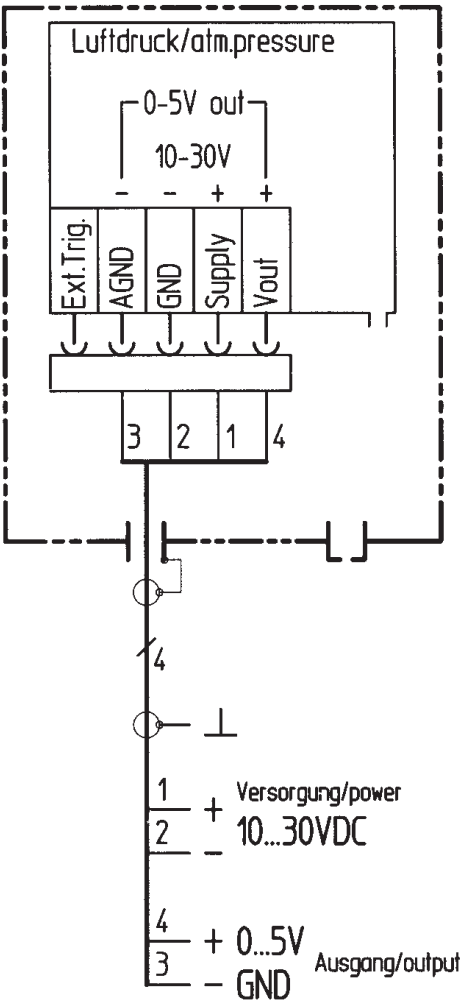


Figure: Installation module for SYNMET

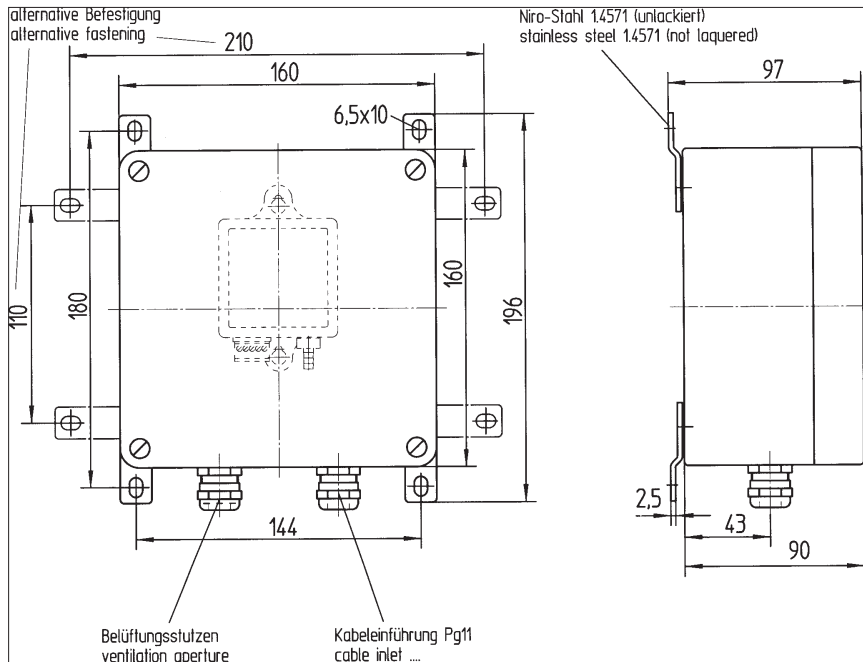
Wiring diagram



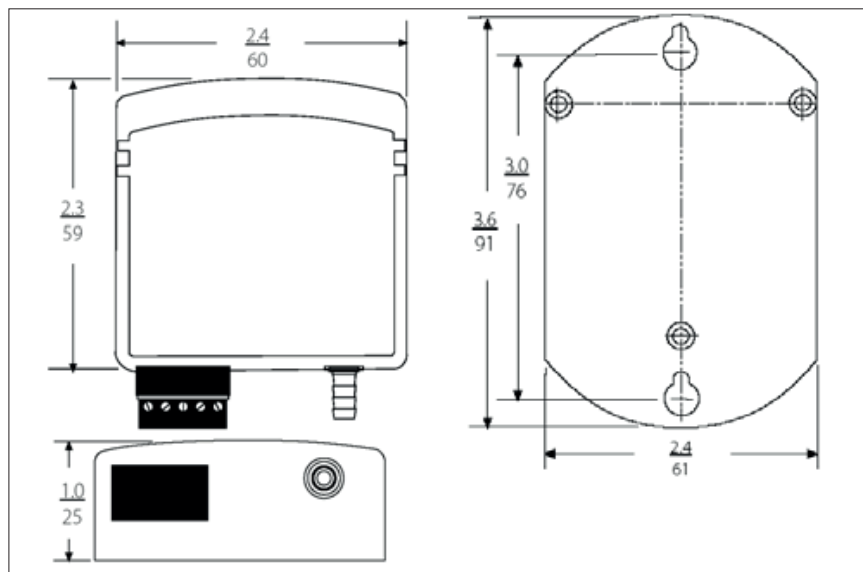
Ader core	AWG-Farbcode		AWG color code	
	AWG	Color	AWG	Color
1	schwarz	sw	black	blk
2	braun	br	brown	brn
3	rot	rt	red	red
4	orange	or	orange	ora

Dimensional drawings

AIR PRESSURE SENSOR IN PROTECTIVE HOUSING (DIMENSIONS IN MM)



AIR PRESSURE SENSOR MODULE (DIMENSIONS IN INCHES AND MM)



Ordering information

ID-NO.	DESCRIPTION
00.08128.085072	Air pressure sensor in outdoor housing; 600...1100 hPa
00.08128.095072	Air pressure sensor in outdoor housing; 800...1100 hPa
63.06010.090100	Air pressure sensor module; 600...1100 hPa
63.06010.090000	Air pressure sensor module; 800...1100 hPa
32.95660.008020	Air pressure sensor module for SYNMET-IND (installation kit); 600...1100 hPa
32.95660.008040	Air pressure sensor module for SYNMET-IND (installation kit); 800...1100 hPa
32.95665.020010	Air pressure sensor module for SYNMET-LOG (installation kit); 600...1100 hPa
32.95665.020030	Air pressure sensor module for SYNMET-LOG (installation kit); 800...1100 hPa

Disposal

LAMBRECHT meteo GmbH is listed and registered at the Stiftung Elektro-Altgeräte Register ear under:

WEEE-Reg.-Nr. DE 45445814

In the category of monitoring and control instruments, device type: "Monitoring and control instruments for exclusively commercial use".

Within the EU



The device has to be disposed according to the European Directives 2002/96/EC and 2003/108/EC (Waste Electrical and Electronic Equipment). Do not dispose the old device in the household waste! For an environmentally friendly recycling and disposal of your old device, contact a certified disposal company for electronic waste.

Outside the EU

Please follow the regulations in your country regarding the appropriate disposal of waste electronic equipment.

Technical data

AIR PRESSURE SENSOR 8128	
Pressure medium	clean, dry air or other non-condensing gases
Measuring range	600...1100 hPa or 800...1100 hPa
Operating temperature range	-40...+60 °C
Ambient humidity	non-condensing
Power supply	9.5...28 VDC
Output voltage	0...5 VDC
Current consumption	3 mA
Resolution	0.01 hPa
Long-term stability	0.1 hPa/year

MECHANICAL DATA	
Pressure fitting	1/8" connection piece
Maximum pressure	1500 hPa
Electrical connector	removable 5-pole connector (AWG 28...16)
Outdoor housing	Aluminum die cast
Protection class	IP 43 (in outdoor housing)
Weight	135 g (air pressure sensor module) 1600 g (in outdoor housing)
Dimensions	see dimensional drawing

ACCURACIES		
Pressure range	600...1100 hPa	800...1100 hPa
Temperature	Accuracy	Accuracy
at 20 °C	± 0,5 hPa	± 0,3 hPa
0...40 °C	± 1,0 hPa	± 0,6 hPa
-20...50 °C	± 1,5 hPa	± 1,0 hPa
-40...60 °C	± 2,0 hPa	± 1,5 hPa

Copyright © 2024 LAMBRECHT meteo GmbH. All rights reserved.
Information in this document subject to change without notice.
Photo copyright: © muratart - Adobe stock

08128_b-de.indd 40.24

LAMBRECHT meteo GmbH
Friedländer Weg 65
37085 Göttingen
Germany

Tel +49-(0)551-4958-0
Fax +49-(0)551-4958-312
E-Mail info@lambrecht.net
Internet www.lambrecht.net

